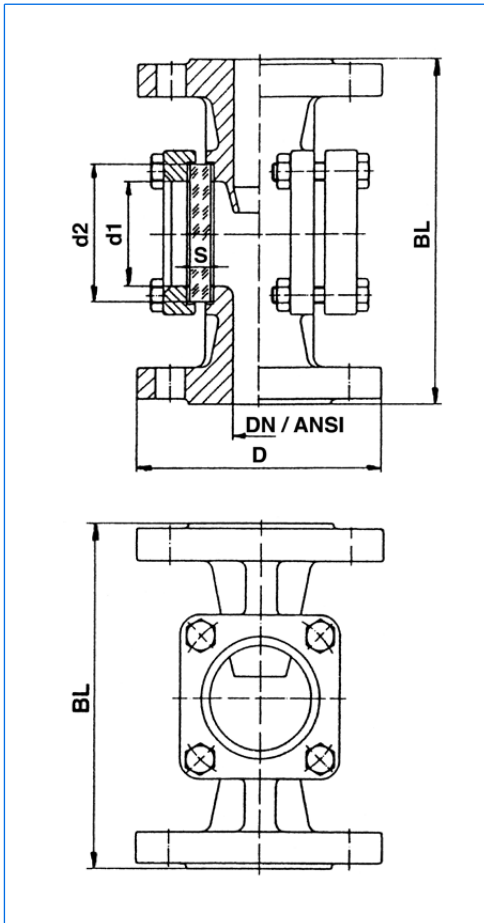


Flow indicators for pipelines with flanged ends for bolting to DIN and ANSI

Series FDG in grey cast
Series FDS in steel cast
Series FDE in stainless steel



Sight flow indicator, type FDE 50, with sightglass light fitting type FKEL 5 dH WM, Ex d IIC T6 Gb, Ex t IIC T80°C Db IP67, Ex II 2 G + D, 230 V, 5 W, with opal glass screen «M»



All dimensions in mm. Subject to changes without preliminary notice.

Application:

VETROLUX® sight flow indicators are used for the observation of a flow of liquid in tubes and pipelines. The serially built-in drop-nose makes smallest flow rates visible. Visibility may be considerably enhanced by combination with our proven light fittings for hazardous and safe areas. (Please see our respective leaflets).

Operating conditions:

Nominal pressure: PN 16 / 25 / 40 / PN 16 at 150 lbs / PN 40 at 300 lbs
Vacuum
Maximum temperature: 280 °C (150 °C with sodium silicate glass)

Standard materials:

Body material: Series FDG: GG 25 (max. PN 16 / 150 lbs)
Series FDS: GS-C 25
Series FDE: Stainless steel 1.4408
Cover flanges: Series FDG: GG 25 / RSt 37-2 (max. PN 16 / 150 lbs)
Series FDS: GS-C 25 / RSt 37-2
Series FDE: Stainless steel 1.4408 / 1.4301
Bolts: Series FDG / FDS: 4.6 / 5.6, zinked
Series FDE: A4-70
Glass discs: Borosilicate glass to DIN 7080 (Standard)
Sodium silicate glass to DIN 8902 (Option)
Gaskets product side: Graphite
cover side: KLINGERSil C4400
Other materials are available on request.

Mounting position:

Without restriction. The flux direction has to be taken into account.

Certificates:

To be supplied to DIN EN 10204 against extra charge.

Options:

- With flap
- With turbine
- With welding ends
- With heating jacket
- With sightglass light fittings

Ordering example:

1 piece VETROLUX® sight flow indicator with flanged ends, body in stainless steel 1.4408, nominal pressure 16 bar (PN 16), nominal diameter (DN) 80:
1 piece FDE 80-1.4408-16-Graphite-KLINGERSil C4400

Dimensions:

DN	ANSI	D			BL	d1	d2	S		
		DIN	ANSI 150 lbs	ANSI 300 lbs				16 bar / 150 lbs	25 bar	40 bar / 300 lbs
15	½"	95	89	95,2	130	32	45	10	10	10
20	¾"	105	98	117,3	150	32	45	10	10	10
25	1"	115	108	123,8	160	48	63	10	12	15
32	1¼"	140	118	133,4	180	48	63 ³	10	12	15
40	1½"	150	127	155,6	200	65	80	12	15	20
50	2"	165	152	165,1	230	80	100	15	20	25
65	2½"	185	178	190,5	290	80	100	15	20	25
80	3"	200	191	209,6	310	100	125	20	25	30
100	4"	220 (235) ¹	228 ²	254,0	350	125	150	25	30	35
125	5"	250 (270) ¹	254 ²	279,4	400	150	175	25	30	40
150	6"	285 (300) ¹	279	317,5	480	175	200	30 ⁴	35	50
200	8"	340(360/375) ¹	343 ²	381,0	600	175	200	30 ⁴	35	50

¹ D in () corresponding to PN 25 / 40 ² Not deliverable in GG 25 ³ Glass dimension in GG 25: ø 80x12

⁴ Only with glass discs from borosilicate to DIN 7080

Flow indicators for pipelines with flanged ends for bolting

Series FF-VA / FB-VA in stainless steel

Series F-St in carbon steel



Sight flow indicator, series FB-VA, type FB-VA 50



Sight flow indicator, series FB-VA, type FB-VA 100

Application:

VETROLUX® sight flow indicators are used for the observation of a flow of liquid in tubes and pipelines. Visibility may be considerably enhanced by combination with our proven light fittings for hazardous and safe areas. (Please see our respective leaflets).

Operating conditions:

Nominal pressure: 10 bar (PN 10)
 PN 6 / 16: On request (only for series F-St)
 Vacuum
 Maximum temperature: 280 °C

Standard materials:

Body material: 1.4435 (= AISI 316 L) / 1.4404 (= AISI 316 L)
 (series FF-VA / FB-VA) (up to DN 100)
 1.4571 (= AISI 316 Ti) (from DN 125)

Loose connecting flanges, PN 10, to DIN 2642: Galvanised RSt 37-2
 (series FB-VA)

Body material and welded connecting flanges to DIN 2576, PN 10: Carbon steel RSt 37-2
 (Series F-St)

Flanges, PN 10 (to DIN 2576): 1.4571 (= AISI 316 Ti)
 (series FF-VA)

Cover flanges: Galvanised RSt 37-2 / C 22.8 (FB-VA / F-St)
 Stainless steel (FF-VA)

Bolts: Galvanised socket head screws to DIN 912, 8.8 (FB-VA / F-St)
 A4-70 (FF-VA)

Glass discs: Borosilicate glass to DIN 7080 (Standard)
 Sodium silicate glass to DIN 8902 (Option)

Gaskets product side: Graphite
 cover side: KLINGERSil C4400

Other materials are available on request.

Options:

- Security version with double glazing
- Version **without** "drop-nose" for hygienic applications
- With turbine
- With flap

Remarks:

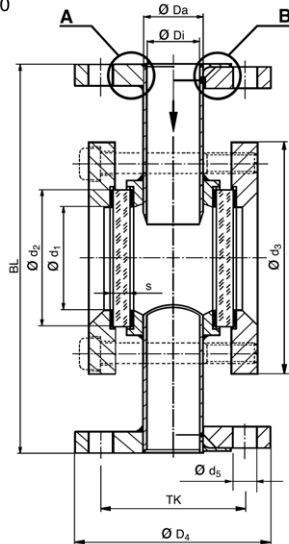
When enquiring or ordering please **always** state the nominal pressure (PN) required.

Ordering example:

1 piece VETROLUX® sight flow indicator with flanged ends, body in stainless steel 1.4435 (= AISI 316 L), nominal pressure 10 bar (PN 10), nominal diameter (DN) 80:

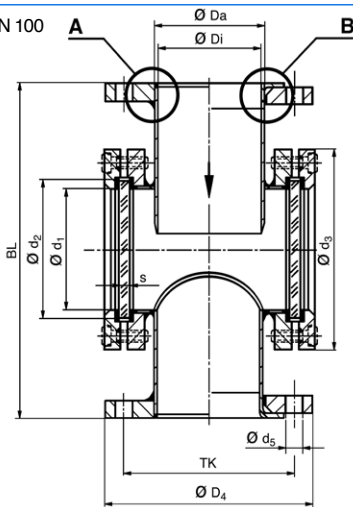
1 piece FF-VA 80-316 L-10-Graphite-KLINGERSil C4400

DN 15 - 80



A = Version F-St / FF-VA
B = Version FB-VA

From DN 100



A = Version F-St / FF-VA
B = Version FB-VA

Type	DN	BL (DIN F1)	Ø D ₄	TK	Ø d ₅	Ø Da	Ø Di	Ø d ₃	Ø d ₁	number and size of bolts	Ø d ₂	s	
FF-VA FB-VA	15	15	130	95	65	14	21,3	18,1	70	32	4 x M8	45	10
F-St	15												
FF-VA FB-VA	20	20	150	105	75	14	26,9	23,7	110	48	4 x M10	63	10
F-St	20												
FF-VA FB-VA	25	25	160	115	85	14	33,7	29,7	135	48	4 x M10	63	10
F-St	25												
FF-VA FB-VA	32	32	180	140	100	18	42,4	38,4	135	65	4 x M10	80	12
F-St	32												
FF-VA FB-VA	40	40	200	150	110	18	48,3	44,3	135	65	4 x M12	80	12
F-St	40												
FF-VA FB-VA	50	50	230	165	125	18	60,3	55,1	150	80	4 x M12	100	15
F-St	50												
FF-VA FB-VA	65	65	290	185	145	18	76,1	70,9	150	80	4 x M12	100	15
F-St	65												
FF-VA FB-VA	80	80	310	200	160	18	88,9	83,7	185	100	4 x M12	125	15
F-St	80												
FF-VA FB-VA	100	100	350	220	180	18	114,3	107,9	210	125	8 x M12	150	20
F-St	100												
FF-VA FB-VA	125	125	400	250	210	18	139,7	133,3	240	150	8 x M12	175	20
F-St	125												
FF-VA FB-VA	150	150	480	285	240	22	168,3	161,9	275	175	8 x M16	200	25
F-St	150												
FF-VA FB-VA	200	200	600	340	295	22	219,1	212,7	340	225	8 x M16	250	30
F-St	200												

Branch office / exclusive agent:

Do you wish for more information about our wide range of light fittings for use in hazardous or safe areas, about our range of circular sightglasses to DIN 28120/28121, screwed sightglasses similar to DIN 11851, rectangular or D-ended sightglasses, pipeline flow indicators, sideways or centrally operated wipers, hinged sightglasses, spraying devices or our complete sight and light-glass units VETROLUX®? Are you interested in other types, special versions or different protection degrees? If yes, please contact us, our branch office or our local agents – it is our business! You will find the necessary indications about our sales network on the Internet.

All dimensions in mm. Subject to changes without preliminary notice.



ARCORI Process Solutions Ltda
 Phone : +55 11 3459-3865
 Email : arcori@arcori.com.br
 Website : www.arcori.com.br
REPRESENTANTE AUTORIZADO

MAX MÜLLER AG

PROCESS ILLUMINATION AND VISUAL OBSERVATION SYSTEMS

Hagmattstrasse 19 • CH - 4123 Allschwil / Switzerland

Telephone +41 61 487 92 92 • Telefax +41 61 487 92 99

www.maxmuellerag.com E-Mail: blt@maxmuellerag.com

Flow indicators for pipelines with ends for welding

Series S-VA in stainless steel

Series S-St in carbon steel



Sight flow indicator, series S-VA, type S-VA 80

Application:

VETROLUX® sight flow indicators, series S-VA / S-St with the new DIN lengths, are used for the observation of a flow of liquid in tubes and pipelines. Visibility may be considerably enhanced by combination with our proven light fittings for hazardous and safe areas. (Please see our respective leaflets.)

Operating conditions:

Nominal pressure: 10 bar (PN 10)
16 bar (PN 16) on request

Vacuum

Maximum temperature: 280 °C (with borosilicate glass discs)
150 °C (with sodium silicate glass discs)

Standard materials:

Body material:	Series S-VA:	1.4571 (= AISI 316 Ti)
	Series S-St:	Carbon steel RSt 37-2
Cover flanges:	Series S-VA:	Stainless steel
	Series S-St:	Carbon steel RSt 37-2
Socket head screws:	Series S-VA:	A4-70
	Series S-St:	Zinked 5.6
Glass discs:	Borosilicate glass to DIN 7080 (Standard)	
	Sodium silicate glass to DIN 8902 (Option)	
Gaskets product side:	Graphite	
cover side:	KLINGERSil C4400	

Other materials are available on request.

Options:

- Security version with double glazing

Remarks:

When enquiring or ordering please **always** state the nominal pressure (PN) required.

Ordering example:

1 piece VETROLUX® sight flow indicator for welding into position, body in stainless steel 1.4571 (= AISI 316 Ti), nominal pressure 10 bar (PN 10), nominal diameter DN 25:

1 piece S-VA 25-316 Ti-10-Graphite-KLINGERSil C4400



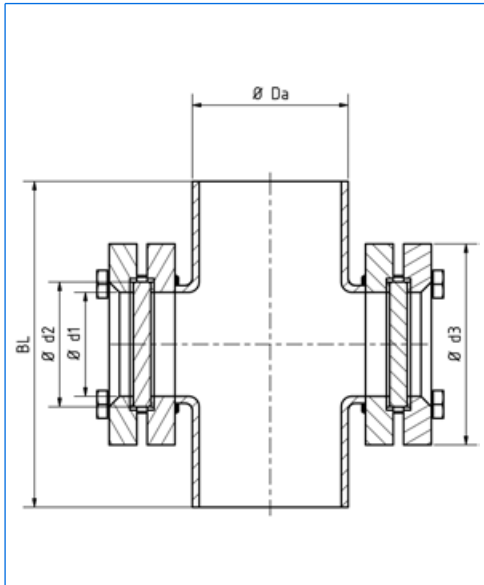
ARCORI Process Solutions Ltda

Phone : +55 11 3459-3865
Email : arcori@arcori.com.br
Website : www.arcori.com.br

REPRESENTANTE AUTORIZADO

MAX MÜLLER AG

Your reliable and efficient partner in sightglasses.
Perfect, thoroughly engineered solutions from one hand!
Always an interesting, technically advanced idea ahead!



Typ	DN	BL	ø Da	ø d ₃	ø d ₁	Number and size of bolts	ø d ₂	s
S-VA 25	25	160	33,7	□ 70	23	4 x M10	45	10
S-St 25								
S-VA 40	40	200	48,3	□ 85	39	4 x M12	63	10
S-St 40								
S-VA 50	50	230	60,3	□ 85	44	4 x M12	63	10
S-St 50								
S-VA 80	80	310	88,9	135	64	4 x M12	80	12
S-St 80								
S-VA 100	100	350	114,3	150	80	4 x M12	100	15
S-St 100								
S-VA 125	125	400	139,7	150	80	4 x M12	100	15
S-St 125								
S-VA 150	150	480	168,3	190	100	4 x M16	125	20
S-St 150								
S-VA 200	200	600	219,1	210	125	8 x M16	150	25
S-St 200								
S-VA 250	250	730	273,0	235	150	8 x M16	175	25
S-St 250								
S-VA 300	300	850	323,3	235	150	8 x M16	175	25
S-St 300								

Branch office / exclusive agent:

Do you wish for more information about our wide range of light fittings for use in hazardous or safe areas, about our range of circular sightglasses to DIN 28120/28121, screwed sightglasses similar to DIN 11851, rectangular or D-ended sightglasses, pipeline flow indicators, sideways or centrally operated wipers, hinged sightglasses, spraying devices, camera systems for hazardous areas or our complete sight and light-glass units VETROLUX®? Are you interested in other types, special versions or different protection degrees? If yes, please contact us, our branch office or our local agents – it is our business! You will find the necessary indications about our sales network on the Internet.

All dimensions in mm. Subject to changes without preliminary notice.



ARCORI Process Solutions Ltda
 Phone : +55 11 3459-3865
 Email : arcori@arcori.com.br
 Website : www.arcori.com.br
REPRESENTANTE AUTORIZADO

MAX MÜLLER AG

PROCESS ILLUMINATION AND VISUAL OBSERVATION SYSTEMS

Hagmattstrasse 19 • CH - 4123 Allschwil / Switzerland
 Telephone +41 61 487 92 92 • Telefax +41 61 487 92 99
 www.maxmuellerag.com E-Mail: blt@maxmuellerag.com